

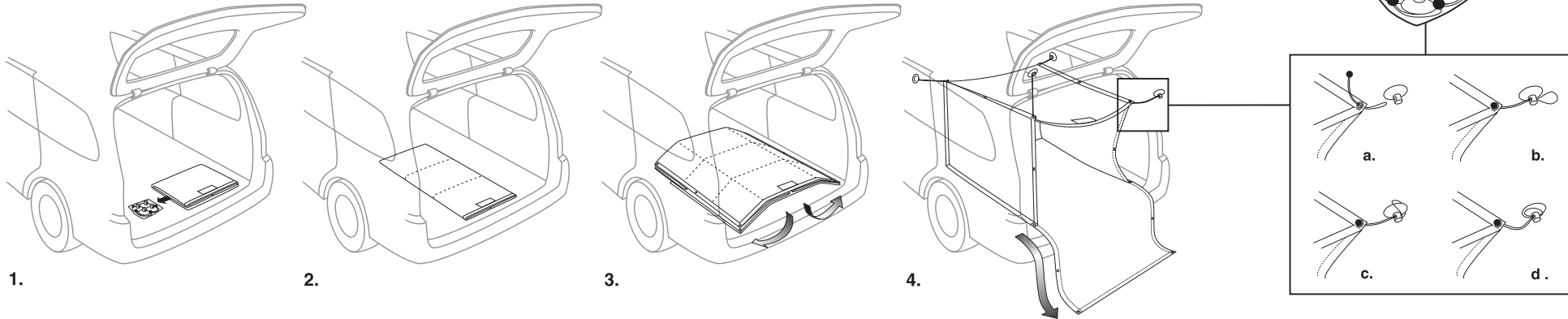
REMOVABLE CARGO LINER



FOR YOUR VEHICLE



BOXTARP SET-UP INSTRUCTIONS, USE AND SAFETY

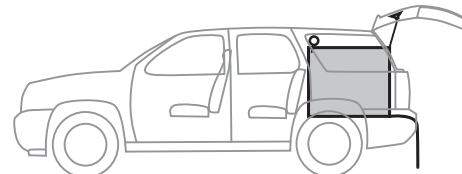


USING THE BOXTARP*

The BoxTarp* is designed to protect the interior of your vehicle cargo area from dirt and wear. The rear flap, when extended during loading and unloading, also protects the rear bumper from scratches. After loading the BoxTarp*, the rear flap can be draped over and tucked around your cargo or tied closed with string to the corresponding grommets. Be sure The BoxTarp* is clean on the outside before use to prevent the transfer of dirt to the interior of your vehicle. Although the fabric is waterproof the seams are not impermeable. Avoid excessive spills. Sharp objects, such as nails protruding from wood should not have direct contact with the liner. After use, the BoxTarp* may be swept out or hosed off and hung to dry.

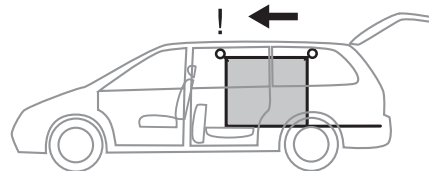
STANDARD PLACEMENT

Standard placement of suction cups in SUV's, Minivans and Station Wagons includes rear side and rear hatch windows. The use of suction cups offers flexibility as window configurations vary from vehicle to vehicle and can be placed wherever they are most practical and effective. Suction cups and window surfaces must be free of dirt for best adhesion. Moistening suction cups enhances seal.



EXTENDED PLACEMENT

For transporting longer loads, The BoxTarp* can also be placed further forward while the rear flap maximizes the protected cargo area floor.



! Should you need to open side doors of your vehicle while The BoxTarp* is in use, remove suction cups from door windows before opening.

STORING THE BOXTARP* AND SAFETY

If storing the BoxTarp* in your vehicle, detach the suction cups from the windows and fold or flatten it to lay on the cargo area floor. Whenever possible, attach suction cups low on windows to minimize obstructing your rear view mirror.

- Transport liquids in sealed containers.
- Never drive with an empty suspended BoxTarp* as it could unnecessarily obscure your rear view mirror.
- Use only if your vehicle side mirrors are intact.